



TEK D/F Butterfly Valve - BV 5000

Double Flange Butterfly Valve



No. Lesen : P930202
 Lesen No. :
LESEN PENSIJILAN BARANGAN
 Product Certification Licence

SIRIM QAS INTERNATIONAL
 SIRIM QAS International Sdn. Bhd. dengan ini mengemukakan kepada
 HENDANG SALLAMA SDN BHD,
 NO. 18 & JALAN SONGAI BELAH 5
 BATU 5, OFF JALAN KAPAR
 41100 KLANG
 SELANGOR DARUL EHSAN

Lesen untuk menggunakan Tanda Pendaftaran di atas barangan
 di bawah ini dan the Certification Mark for
BUTTERFLY VALVES
 Please refer to detail in the SCHEDULE
 sebagai mematuhi keperluan
 as complying with
 SS EN 693 : 2004

MS
 SIRIM

ORIEL
 23 March 2007
 No. Ser. : 6153

Amir Hassan
 24 March 2007
 No. Ser. : 6153

For more information, please contact SIRIM QAS International Sdn. Bhd. at the address below.
 SIRIM QAS International Sdn. Bhd. is a member of SIRIM Berhad.

Sales Office :

TEK VALVE (M) SDN. BHD. (Company No : 524990-A)

PT 22432, Lot Asal 6535, Sungai Puloh, Batu 5 1/2,

Jalan Kapar, 42450 Klang, Selangor Darul Ehsan.

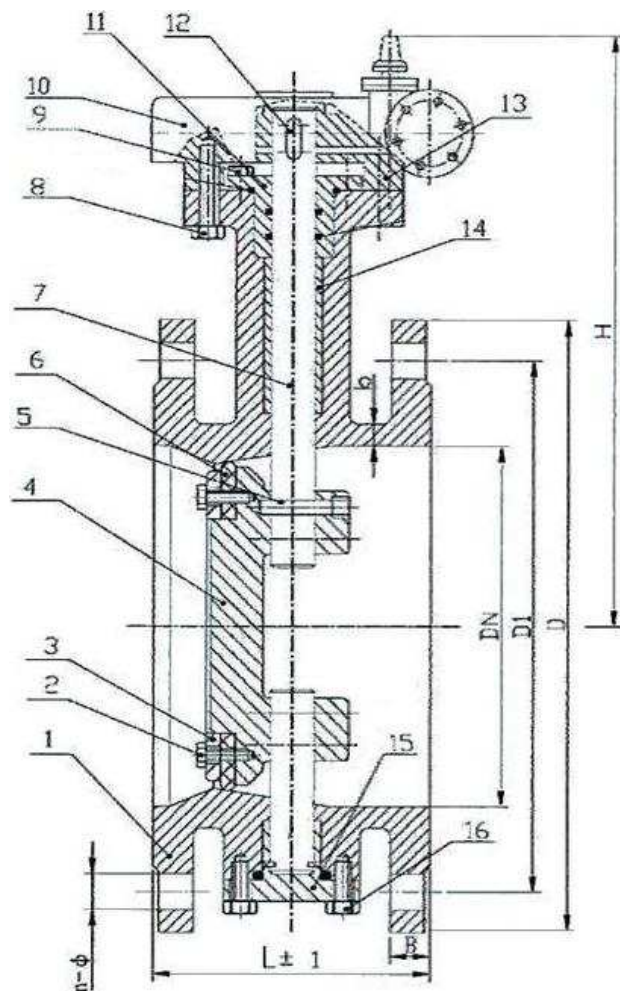
Tel : (006) 03-3291 3963 Fax : (006) 03-3290 5126

E-mail : tekvalve@yahoo.com

TEK Double Flange Butterfly Valve - BV 5000

SPECIFICATIONS PN 16

No	Component	Material Description
1	Valve Body	Ductile Iron, BS EN 1563 Grade 500/7
2	Setscrew	Stainless Steel, BS 970 Part 1 SS 304
3	Retaining Ring	Ductile Iron, BS EN 1563 Grade 500/7
4	Disc	Ductile Iron, BS EN 1563 Grade 500/7
5	Setscrew	Stainless Steel, BS 970 Part 1 SS 304
6	Seal Ring	EPDM, ASTMD 70° - 80°IRHD
7	Driving Shaft	Stainless Steel, BS 970 Part 1 Grade 431/S29
8	Setscrew	Stainless Steel, BS 970 Part 1 SS 304
9	Setscrew	Stainless Steel, BS 970 Part 1 SS 304
10	Gear Box	Ductile Iron, BS EN 1563 Grade 500/7
11	Bush Cap	AL Bronze
12	Key	Stainless Steel, BS 970 Part 1 SS 304
13	Jointing Flange	Ductile Iron, BS EN 1563 Grade 500/7
14	Bearing Bush	AL Bronze
15	Blank Cap	Ductile Iron, BS EN 1563 Grade 500/7
16	Cap Screw	Stainless Steel, BS 970 Part 1 SS 304



BS EN 593 : 2004

DIMENSIONS

DN	H	L	D	D1	B	n - Ø	b
50	275	108	165	125	19	4 - Ø 19	8
80	295	114	200	160	19	8 - Ø 19	9
100	300	127	220	180	19	8 - Ø 19	10
150	415	140	285	240	19	8 - Ø 23	11
200	485	152	340	295	20	12 - Ø 23	12
250	525	165	405	355	22	12 - Ø 28	12
300	550	178	460	410	24	12 - Ø 28	14
400	610	216	580	525	38	16 - Ø 31	15
450	670	222	640	585	30	20 - Ø 31	16
500	715	229	715	650	31.5	20 - Ø 34	17
600	775	267	840	770	36	20 - Ø 37	18
700	875	292	910	840	38.5	24 - Ø 37	21
800	945	318	1025	950	48	24 - Ø 40	22
900	1040	330	1125	1050	48.5	28 - Ø 40	24
1000	1155	410	1255	1170	50	28 - Ø 43	27
1200	1235	470	1485	1390	57	32 - Ø 49	29
1400	1455	530	1685	1590	60	36 - Ø 49	33
1600	1635	600	1930	1820	65	40 - Ø 56	37